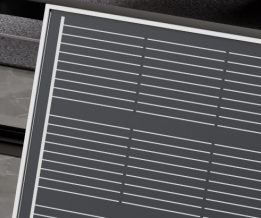
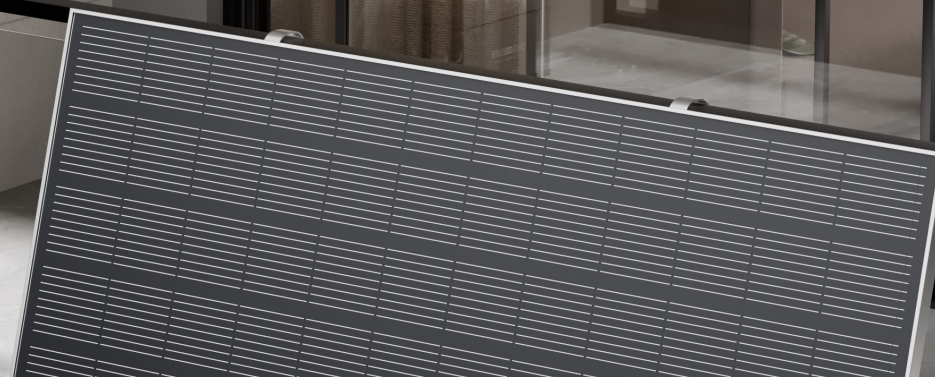


ZENDURE

SuperCharged[Ⓢ]

Introducing Zendure Hub 2000



Difference between PVHub 1200 and Hub 2000

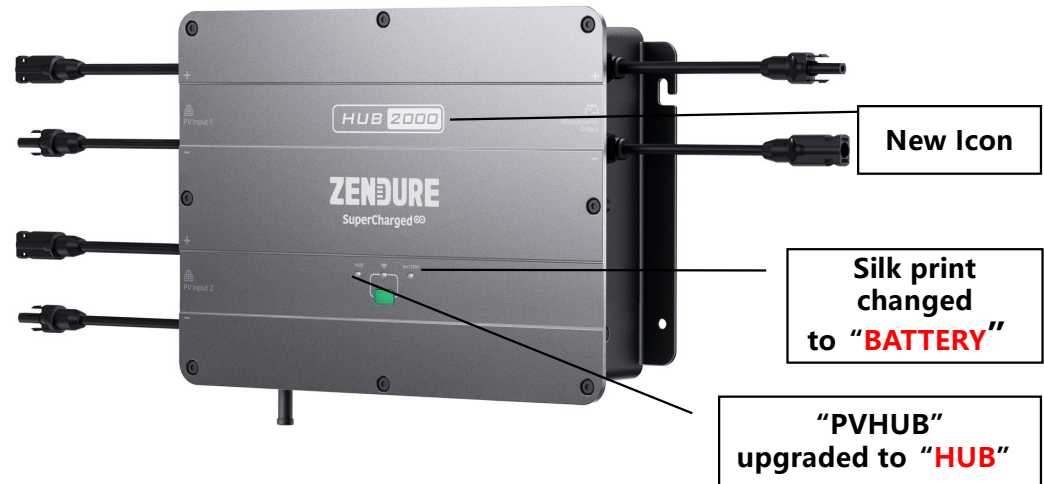


Smart PVHub 1200



Numbers of MPPT: 2
Recommended solar input: 1000W max
Output: 1200W max
Output to batteries: 800W max

Hub 2000



Numbers of MPPT: 2
Recommended solar input: **2340W** max
Output: 1200W max
Output to batteries: **1800W max**



Hub2000

ZENDURE
SuperCharged[⊕]

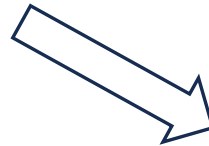
Why Hub2000

New policy from Jan 2024

Amendment to the Renewable Energy Act

§ 8 5a is amended as follows:

“(5a) One plug-in solar device or several plug-in solar devices with a total installed power of up to **2KW** and an inverter power of up to **800VA** in total.



ZENDURE
SuperCharged[®]



Hub 2000 supports up to **2340W** PV modules and **1800W** MPPT input, a perfect match for the upcoming new EEG (Erneuerbare-Energien-Gesetzes) and other laws.

A solid teal square is positioned to the left of the section header.

Product position

Hub 2000

To meet the increased demand for larger capacity PV systems and achieve higher power generation efficiency and economic benefits. By optimizing system design and integrating innovative technologies, we are proud to introduce the upgrade solution of the Zendure Hub2000. Hub 2000 is designed to provide users with a more flexible and sustainable PV option, addressing the growing energy needs. We strive to create a more reliable and efficient solar power generation experience for our customers, contributing to the widespread adoption of renewable energy.

Target audience

Ideal for customers with **gardens** or **spacious balconies**, our solution caters to residents with a demand for the installation of high-capacity photovoltaic panels ranging from **1000W** to **2300W**, coupled with storage needs.

Benefits

Shorter Payback Period: With the addition of more PV panels and batteries, the payback period is significantly reduced.

Increased Energy Generation and More Battery Charging: Achieve higher PV input and faster charging speeds, enabling the charging of more batteries in the same amount of time.

Alignment with New Policy: Our photovoltaic products are designed to seamlessly adhere to the latest policies, particularly compatible with all German "plug-and-play" devices.

Shorter Payback Period

Money saved per year

Hub 1200+AB2000
800W PV+ 800W MI

2kWh Bundle

438€/Year

Saved 3kWh per day.(1kWh self consumption + 2kWh Storage)

Hub 2000+AB2000*2
2000W PV+800WMI

4kWh Bundle

912€/Year

Saved 3kWh per day.(2.25kWh self consumption + 4kWh Storage)

ROI (In Germany)

3.54Years

$(€399 + €999 + €450) / 1.19 / €438 = 3.54^*$

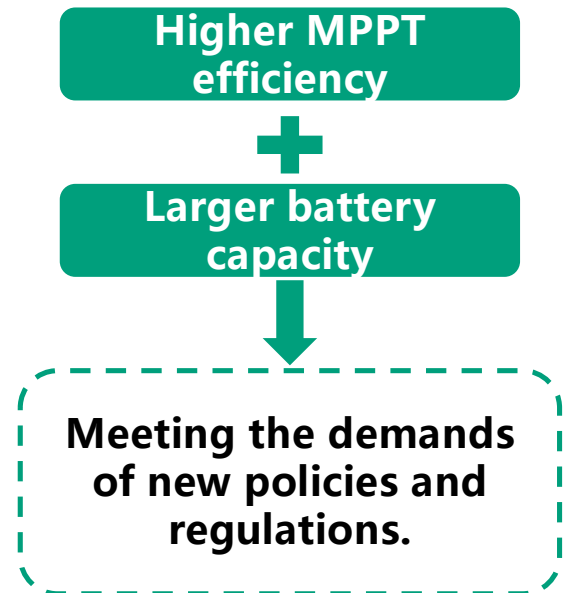
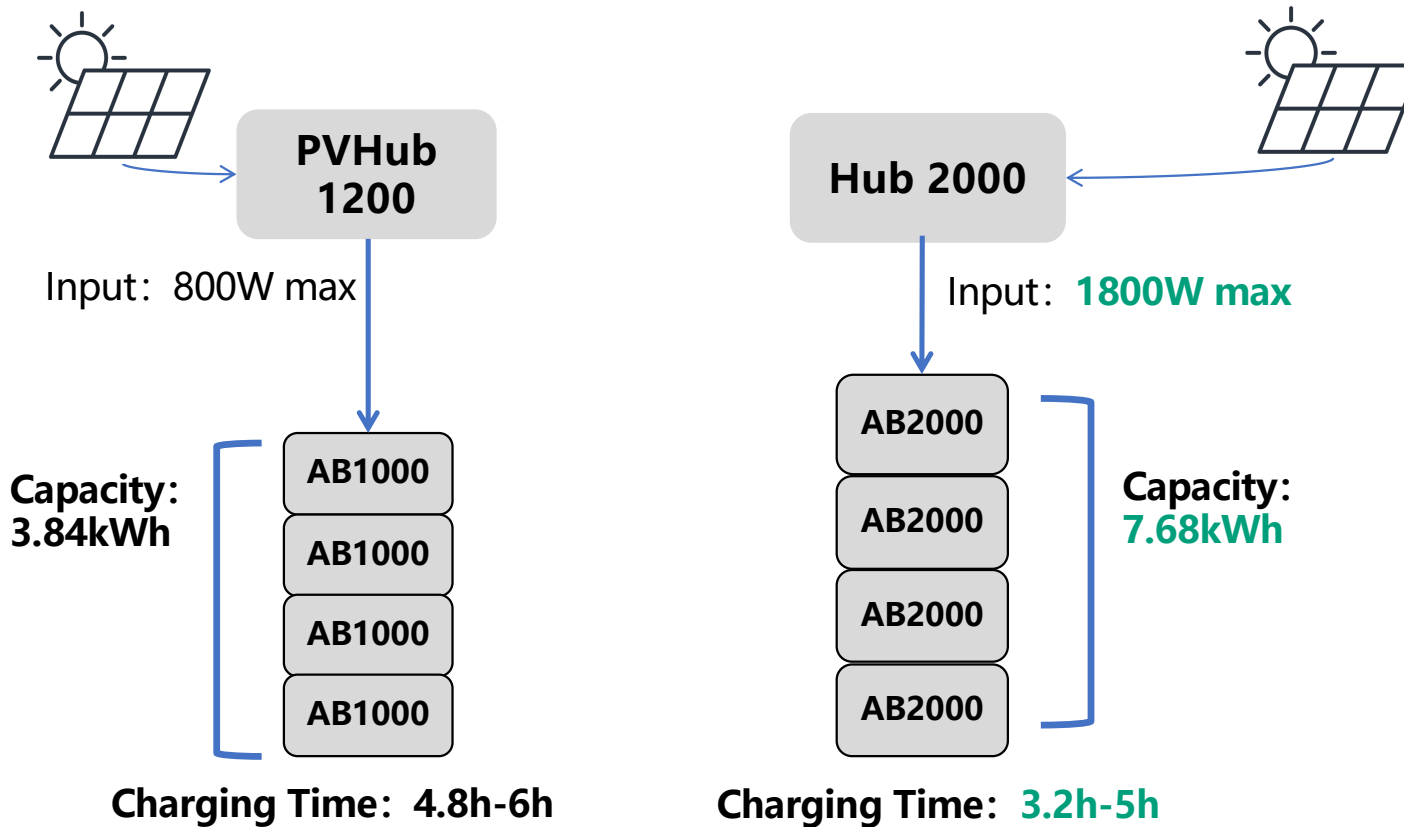
2.94 Years

$(€499 + €1998 + €700) / 1.19 / €912 = 2.94^*$

4KWh solution payback in 2.94 years

*SRP for reference: Hub 2000: €499, PVHub 1200: €399, AB2000: €999, 800W plug&play kits: €450, 2000W plug&play kits: €700

High Efficiency and Large Capacity

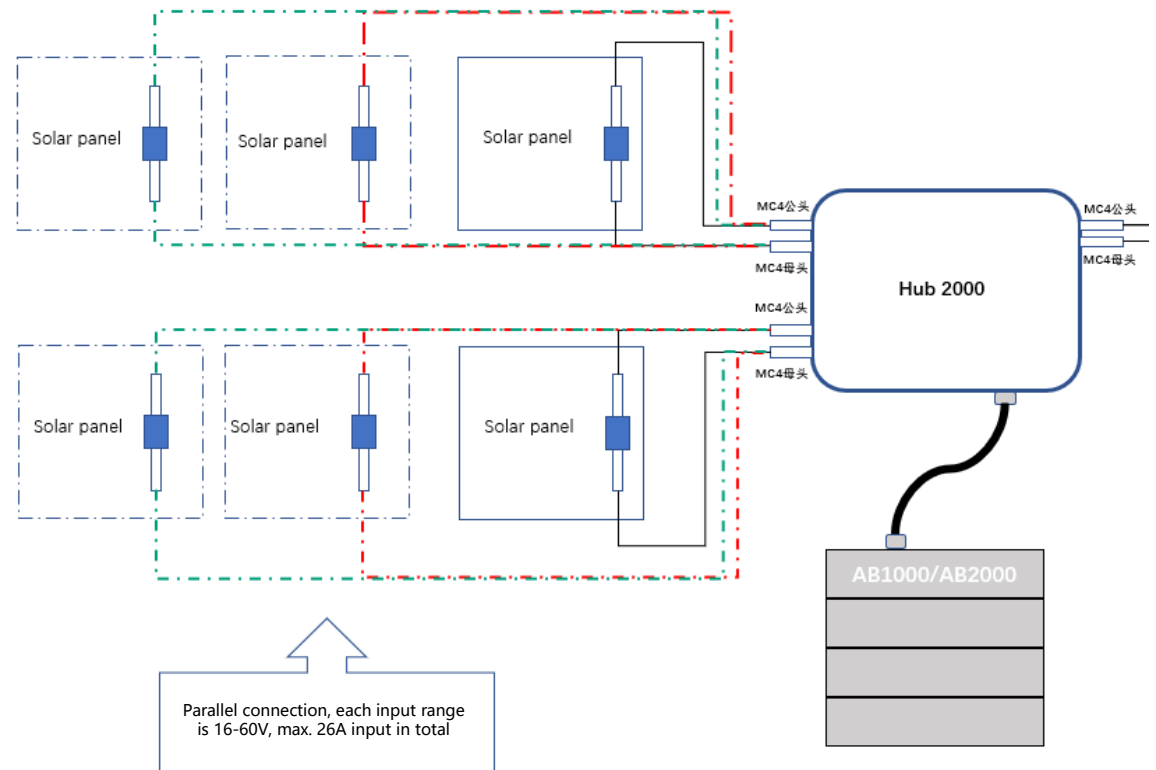


Support up to 2340W PV modules

- Max. **2340W PV modules** (Max 1.3 times tolerance for PVHUB input (1800Wx1.3=2340W))
- Compatible with 2-6 pcs of PV modules (375W/410W/450W/550W)

PV Input 1: 16-60V = 26A, 900W Max

PV Input 2: 16-60V = 26A, 900W Max



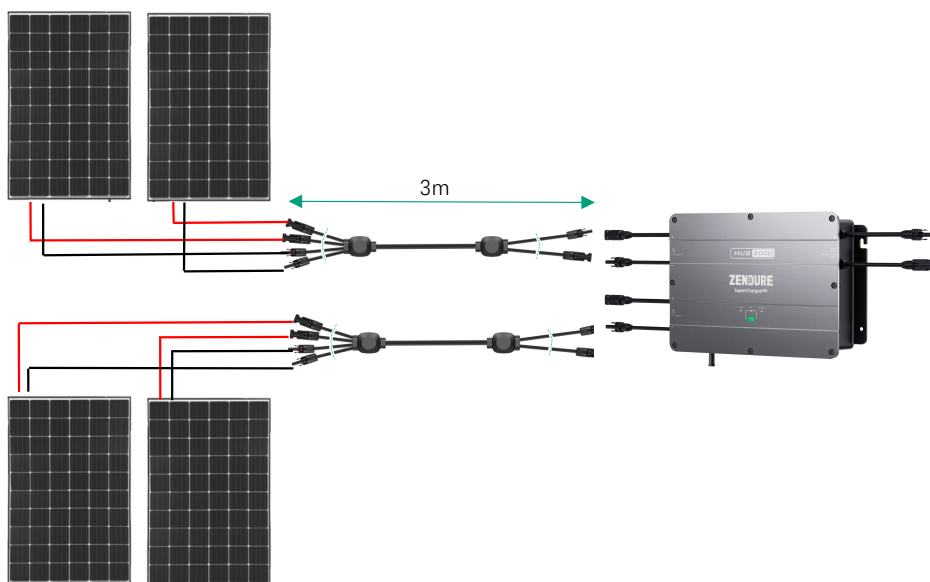
Improved WIFI Security Protocol



- **Supporting WPA3 security protocol** - employing advanced and secure encryption technologies to address end-user concerns regarding network security.
- **Solved WIFI connection issues** - Addressing issues where certain routers with higher security levels may encounter difficulties connecting to the network, ensures a more stable connection, enhancing the efficiency of smart ecosystem integration.

Upgraded MC4 cable (Not included)

Quick installation, Save more space




The new MC4 connection cable features an optimized design, reducing the wires to just **2 cables**. This simplification results in a neat and orderly wiring connection, making installation more convenient.

With a more standardized wiring method, the likelihood of poor contact decreases, thereby improving system stability.

Product Specification

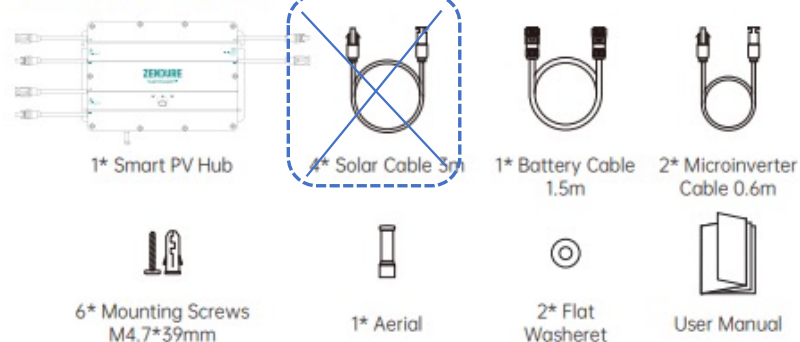
Specifications

Name	Hub 2000
ID	
Model	ZDHUB2000
Dimensions	363×246×64 mm
Weight	≈ 4.7 kg
Wireless Type	Bluetooth, 2.4GHz & 5GHz Wi-Fi
IP Level	IP65
Warranty	10 Years
PV Input	
Maximum Input PV module	1170 W each
Maximum Input DC Voltage	60 V
PV Input 1	16-60 V _{DC} 26 A, 900W Max
PV Input 2	16-60 V _{DC} 26 A, 900W Max
Min DC Input Voltage	16 V
Max DC Short Circuit Current	33 A
Number of MPPT	2

Discharge from Battery	
Max Output Power	1200 W Max
Max Output Current	25 A
Rate Voltage	48 V
Charge to Battery	
Max Input Power	1800 W
Max Input Current	37.5 A
Rate Voltage	48 V
Output to Microinverter	
Recommended Microinverter's Power	Max 1200W
Rated Output Power	1200 W
Rated Output Current	30 A
Nominal Voltage Range	16-60V
Efficiency	
MPPT Efficiency	99%
Output Efficiency	98%
Protection	
Overvoltage Protection	Yes
Overcurrent Protection	Yes
Short Circuit Protection	Yes
Temperature Protection	Yes
Working Temperature	-20-65 °C

Difference in the box

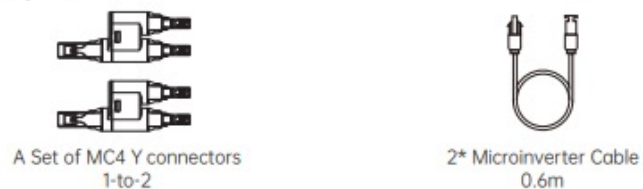
5.1 What's in The Box



- **Solar Cable Removed**
- New Solar Parallel Y Cable (Purchase separately)

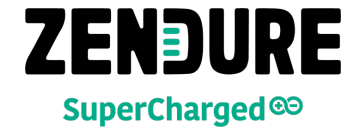
1. Solar Cable: Used for solar panels connection.
2. Battery Cable: Used for AB1000 connection.
3. Microinverter Cable: Used for Microinverter connection.
4. Mounting Screws: Hooking up Smart PV Hub and Microinverter.
5. Flat Washeret: Used to fixed the Microinverter.






Accessory Pack



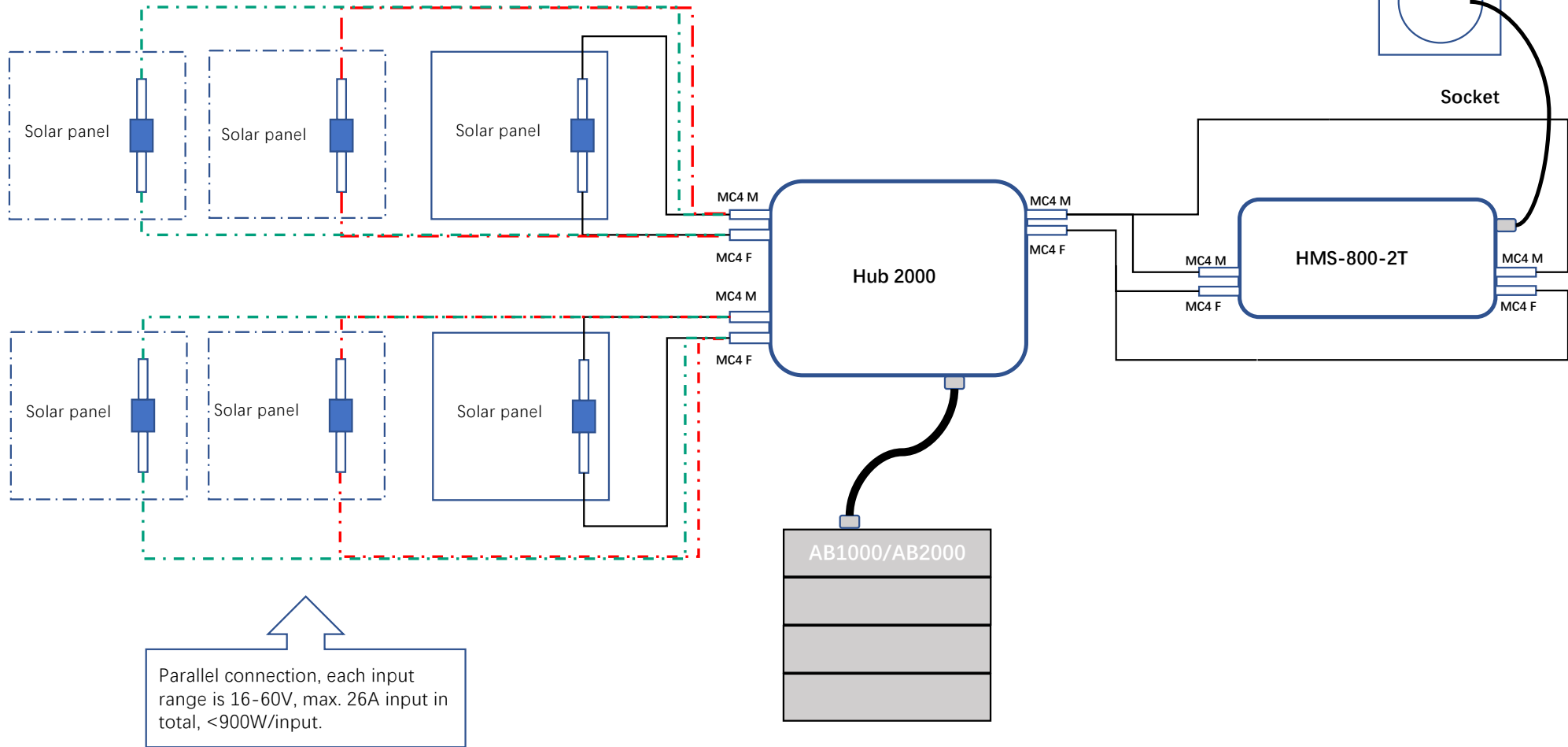
Smart PVHub 1200

Product Comparison



Brand	Zendure	Zendure	EcoFlow	Anker	Bluetti
Pic					
Model	Hub 2000	Smart PVHub 1200	PowerStream	Anker SOLIX Solarbank E1600	Bluetti
Input	Max. PV module: 2340W Microinverter: 1200W	Max. PV module: 1100W Microinverter: 1200W	Max. PV module: 1100W Microinverter: 800W	Max. PV module: 1100W Microinverter: 800W	Max. PV module: 1300W Microinverter: 800W
Smart mode	Smart plug & monitoring CT	Smart plug & monitoring CT	Smart plug & monitoring CT	N/A	N/A

Connection Way



Thank you

